

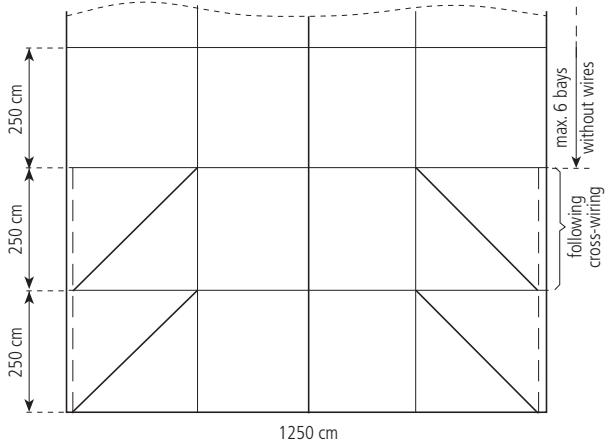
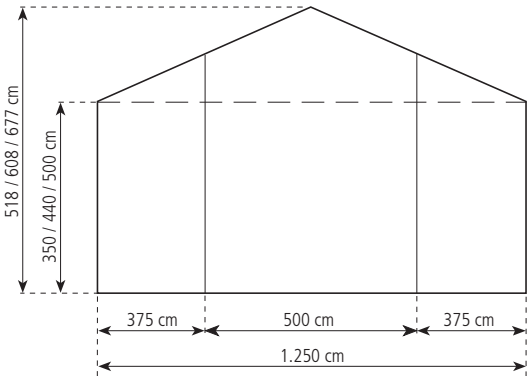
## S-LINE 1.250 - 1.500 CM



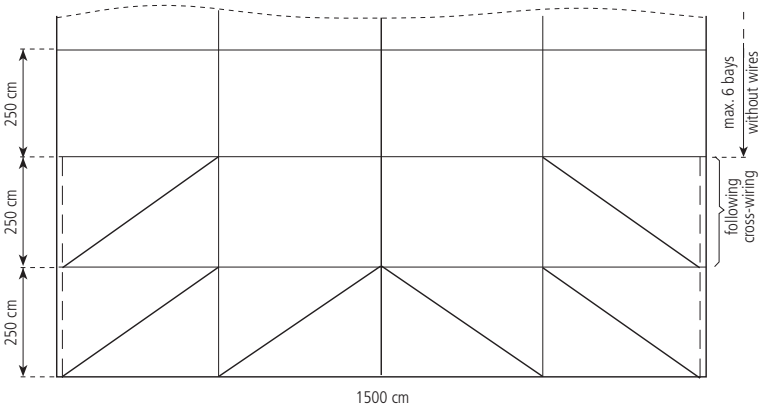
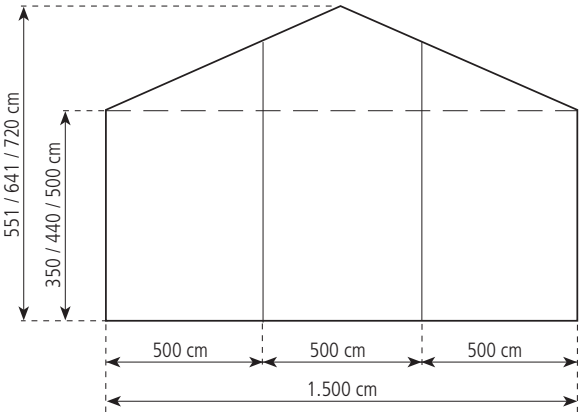
### TECHNICAL DATA

STANDARD VERSION		
Span	1.250 cm	1.500 cm
Side height	350 / 440 / 500 cm	350 / 440 / 500 cm
Ridge height	518 / 608 / 677 cm	551 / 641 / 720 cm
Roof pitch	15 °	15 °
Bay distance / grid	250 cm	250 cm
Main profile	170 x 88 x 3 mm	220 x 100 x 3 mm
Gable uprights	2	2
Max. wind speed according EN	100 km/h	
Snowload	Up to 1,31 kN/m <sup>2</sup>	
Special version	<ul style="list-style-type: none"> <li>· Sliding gates, rolling gates or doors; Sizes on request</li> <li>· Trapezoidal sheet wall covering, stored in track bed on roles movable</li> </ul>	
Tarpaulin	RÖDER No. 1, PVDF-coated tarpaulin, according to DIN 18204	

**S-LINE 1.250/350/518 & 1.250/440/608 & 1.250/500/677**



**S-LINE 1.500/350/551 & 1.500/440/641 & 1.500/500/720**



**QUESTIONS AND COMMENTS**

We have summarized the most important data and dimensions of our standard constructions for you. All information is without guarantee. No liability is assumed for printing and spelling errors. We would be happy to advise you personally about the optimal construction for your needs. Your Röder team is at your disposal to answer any questions you may have about intermediates, special features, conversions and other technical data.