

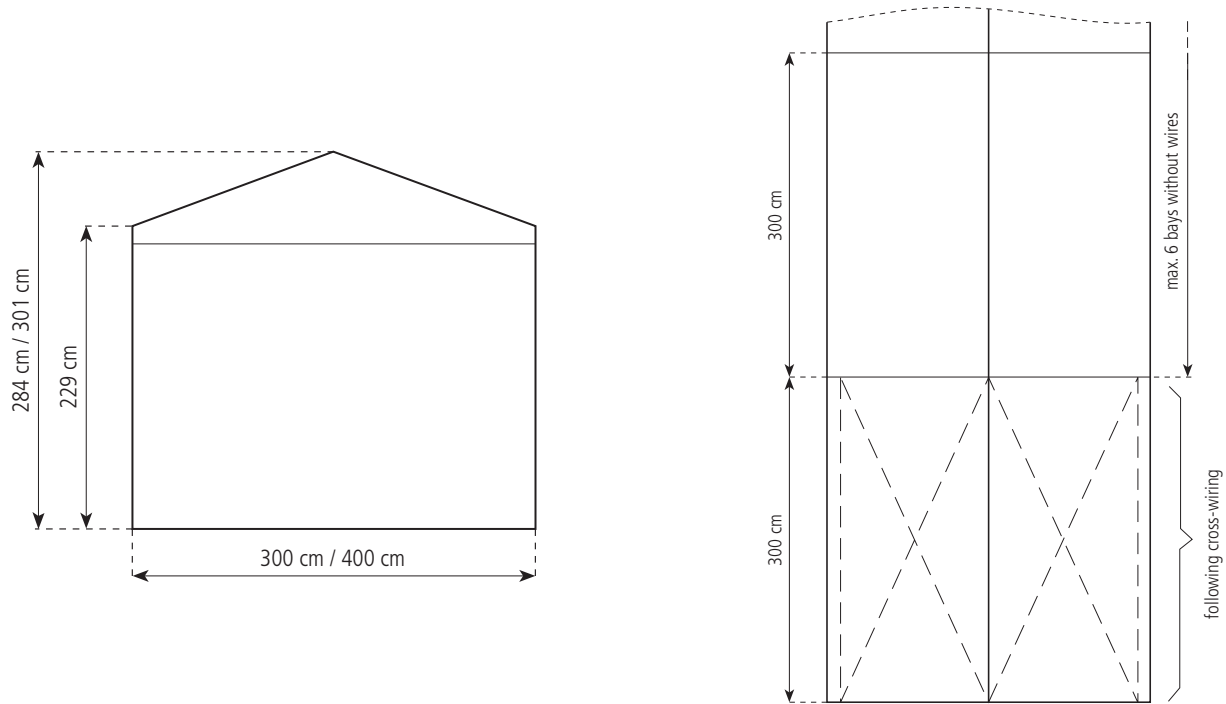
PARTY TENT 300 - 800 CM



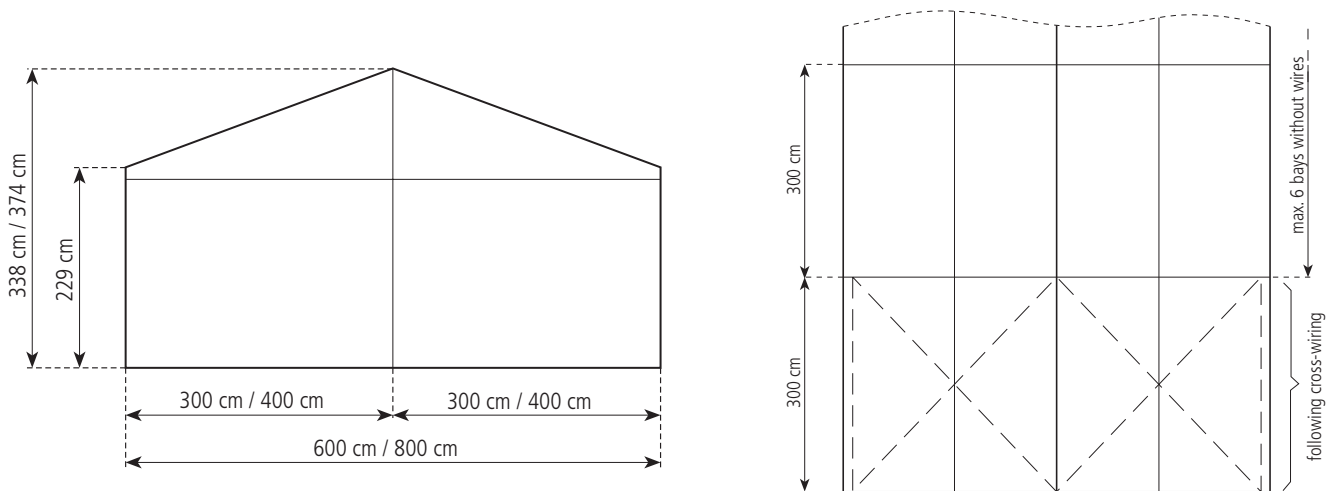
TECHNICAL DATA

STANDARD VERSION				
Span	300 cm	400 cm	600 cm	800 cm
Side height	229 cm	229 cm	229 cm	229 cm
Ridge height	284 cm	301 cm	338 cm	374 cm
Roof pitch	20°	20°	20°	20°
Bay distance / grid	300 cm	300 cm	300 cm	300 cm
Main profile	81 x 48 x 3 mm or optional 94 x 48 x 3 mm	81 x 48 x 3 mm or optional 94 x 48 x 3 mm	81 x 48 x 3 mm or optional 94 x 48 x 3 mm	81 x 48 x 3 mm or optional 94 x 48 x 3 mm
Gable uprights	0	0	1	1
Max. wind speed according to EN	80 km/h			
Special version	<ul style="list-style-type: none"> · Elimination of anchoring by installation of a steel-aluminum floor with ballast or use of the compact floor or use of the cassette floor with ballast · Elimination of wind cross-wiring by installation of portals 			
Further extension possibilities	· Hexagonal with intermediate fields on both sides			
Flooring	<ul style="list-style-type: none"> · Wood floor with timber or steel-aluminum substructure · Cassette floor · Compact floor 			
Tarpaulin	RÖDER No. 1, PVDF-coated tarpaulin, according to DIN 18204			

PARTY TENT 300/229/284 & 400/229/301



PARTY TENT 600/229/338 & 800/229/374



QUESTIONS AND COMMENTS

We have summarized the most important data and dimensions of our standard constructions for you. All information is without guarantee. No liability is assumed for printing and spelling errors. We would be happy to advise you personally about the optimal construction for your needs. Your Röder team is at your disposal to answer any questions you may have about intermediates, special features, conversions and other technical data.