

BIG TENT WITH HIGH POINT 1.500 - 2.000 CM

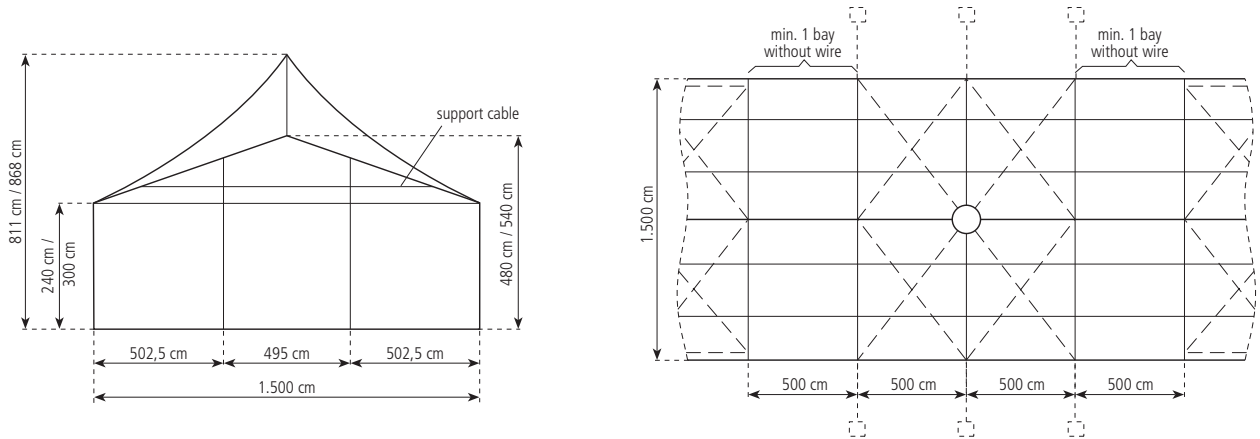


TECHNICAL DATA

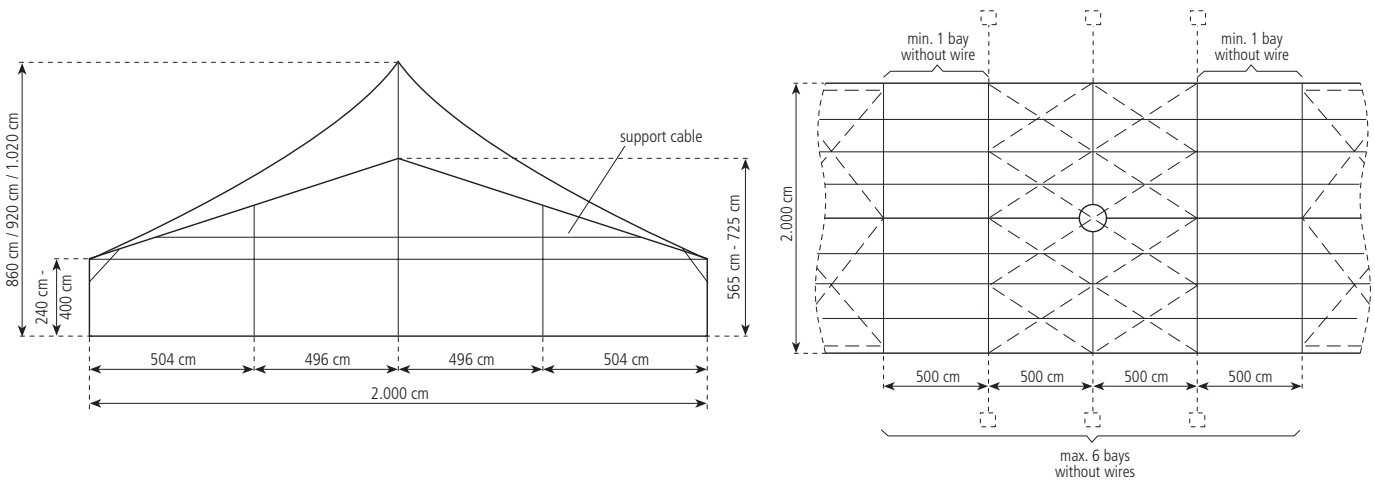
STANDARD VERSION

Span	1.500 cm	1.500 cm	2.000 cm	2.000 cm	2.000 cm
Side height	240 cm	300 cm	240 cm	300 cm	400 cm
Ridge height	480 cm	540 cm	565 cm	625 cm	725 cm
High point	811 cm	868 cm	860 cm	920 cm	1.020 cm
Roof pitch	18°	18°	18°	18°	18°
Bay distance / grid	500 cm	500 cm	500 cm	500 cm	500 cm
Main profile	220 x 100 x 3/4 mm	220 x 100 x 3/4 mm	220 x 100 x 3/4 mm	220 x 100 x 3/4 mm	220x100x4 mm
Gable uprights	2	2	3	3	3
Max. wind speed according to EN	100 km/h				
Flooring	<ul style="list-style-type: none"> · Wood floor with timber or steel-aluminum substructure · Cassette flooring · Compact floor (only at 1.500 cm) · Heavy duty floor 				
Tarpaulin	RÖDER No. 1, PVDF-coated tarpaulin, according to DIN 18204				

BIG TENT WITH HIGH POINT 1.500/240/480 & 1.500/300/540



BIG TENT WITH HIGH POINT 2.000/240/565 & 2.000/300/625 & 2.000/400/725



QUESTIONS AND COMMENTS

We have summarized the most important data and dimensions of our standard constructions for you. All information is without guarantee. No liability is assumed for printing and spelling errors. We would be happy to advise you personally about the optimal construction for your needs. Your Röder team is at your disposal to answer any questions you may have about intermediates, special features, conversions and other technical data.